

# KmN 2.5sm



## FEATURES AND BENEFITS

- Modular drill: choice of parts to suit different uses and customer objectives
- Ability to maneuver on uneven ground
- Air-conditioned remote cab
- Complete work cycle in less than 60 seconds

**STRONGER AND STRONGER**

# kmN 2.5sm

## UNDERGROUND DRILL

### Drilling capacity

B wireline 18 kg/3m	12,401 ft (3,780 m)
N wireline 23,4 kg/3m	9,540 ft (2,908 m)
H wireline 34,5 kg/3m	6,470 ft (1,972 m)
P wireline 52,2 kg/3m	4,276 ft (1,303 m)
Based on pull capacity	

### Main winch

80 gpm (302 lpm)		
40,000 lb (178 kN)		
Line speed	max displacement 160 cc	109 ft/min (33 m/min)
	min displacement 94 cc	186 ft/min (57 m/min)
Variable displacement motor		
Cable dimension		108 x 7/8 ft x in (41 x 22 m x mm)

### Wireline winch with level wind

26,4 gpm (100 lpm)		
3000 psi (207 Bar)		
Capacity	11,015 x 3/16 ft x in (3,357 x 4,8 m x mm)	
	6,381 x 1/4 ft x in (1,945 x 6,35 m x mm)	
11,015 x 3/16 ft x in (3,357 x 4,8 m x mm)		
6,381 x 1/4 ft x in (1,945 x 6,35 m x mm)		
Line Pull	Bare drum 6" dia.	4,176 lb (18,6 kN)
	Full drum 25" dia.	1,392 lb (6,2 kN)
Speed	Bare drum 6" dia.	324 ft/min (99 m/min)
	Full drum 25" dia.	972 ft/min (296 m/min)

### Hydraulic system

Primary pump 145cc	4,500psi - 80 gpm (310 Bar - 304 lpm)
Secondary pump 130cc	3,500psi - 72 gpm (241 Bar - 273 lpm)
Hydraulic oil cooling	air

### Mast and feed system

Feed stroke	11 ft (3.35 m)	
Mast dump	6 ft (1.8 m)	
Thrust		32,000 lb (142 kN)
	Displacement speed @ max flow	92 ft/min (28.0 m/s)
Pull		50,000 lb (222 kN)
	Displacement speed @ max flow	78 ft/min (23.9 m/min)
Rod pull length	20 ft (6.10 m)	

### Power unit John Deere Tier III

Volume	2.38 Gal (9 Liter)
Power	350 BHP (261.1 kW)
RPM	2,100 rpm
Electrical System	12 vdc
Cooling	water
Fuel tank	209 gal (790 liter)

### Rod Holder

max clamping diameter	6 in (139.7 mm)
Holding capacity	50,000 lb (222.4 kN)

### Drill head / Chuck Assembly

max clamping diameter	4,90 in (125 mm)
Holding capacity	50,000 lb (222.4 kN)

### Rotation motor option

No transmission version	
271 rpm min	4,356 lb*ft (5906 Nm)
1,250 rpm min	945 lb*ft (1281 Nm)

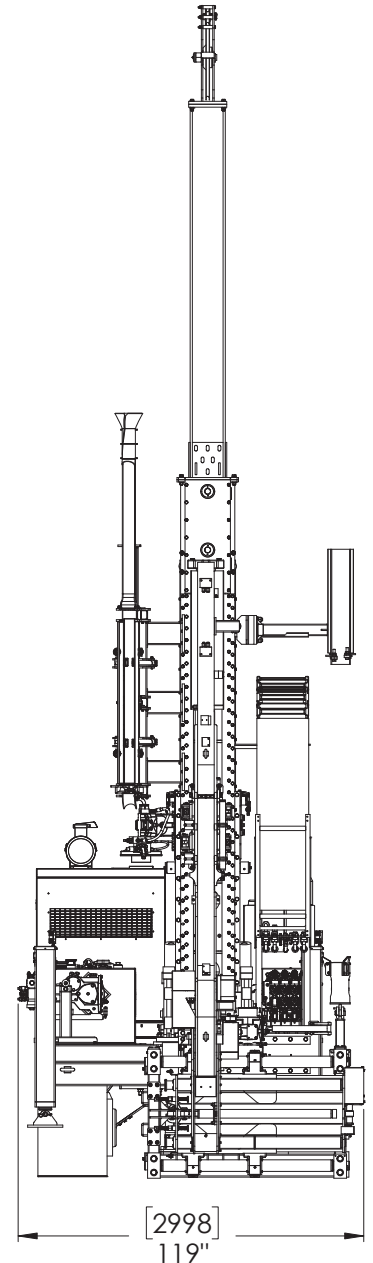
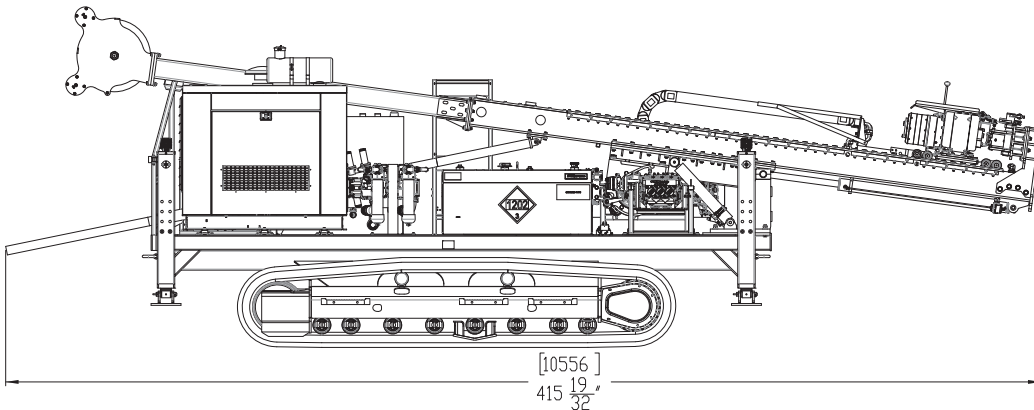
### 2-speed option (hydraulic shift)

Hi gear (1:1)	651 rpm min 1,549 lb*ft (2,100 Nm)
	1250 rpm max 807 lb*ft (1,094 Nm)
Low gear (3.4:1)	192 rpm min 5,265 lb*ft (7,138 Nm)
	368 rpm max 2,744 lb*ft (3,721 Nm)

### 4-speed option (manual shift)

4 <sup>th</sup> (1:1)	651 rpm min 1,549 lb*ft (2,100 Nm)
	1,250 rpm max 807 lb*ft (1,094 Nm)
3 <sup>rd</sup> (1.75:1)	372 rpm min 2,710 lb*ft (3,674 Nm)
	714 rpm max 1,413 lb*ft (1,915 Nm)
2 <sup>nd</sup> (3.12:1)	209 rpm min 2,710 lb*ft (6,551 Nm)
	401 rpm max 2,518 lb*ft (3,414 Nm)
1 <sup>th</sup> (6.27:1)	104 rpm min 9,709 lb*ft (13,164 Nm)
	199 rpm max 5,061 lb*ft (6,862 Nm)

## DIMENSIONS



# STRONGER **AND** STRONGER

Distributor:



110 Jacques-Bibeau St., Rouyn-Noranda, QC J9Y 0A3, Canada

1 819 762-9645 [info@mbiglobal.ca](mailto:info@mbiglobal.ca)